

### AEL ( AUTOMATIC EMERGENCY LANTERN )

Naval Surface mounted AEL Light with Clear Polycarbonate Diffuser. Conforms to IP67. Available with 1.2 Watt LED Arrys.

**IP 67**

#### Features

Housing & Cover : Al. die casted body with Epoxy Polyester powder coated RAL9010 surface finish.(can be customised on requirement )

Control gear: Control gear unit consists of open construction Electronic Power Supply and mains connector with Loopin Loopout facility.

Mains Supply Voltage : 110....230 Volt AC Singal Phase

#### Features :

- High Intensity LED Technology,
- Illumination Test push button with LED Charging Indicator
- High Shock & Vibration Resistant
- Rugged, Vandal-Proof Encloser

#### Optics

Clear Polycarbonate diffuser.

#### Installation

Surface mounted type.

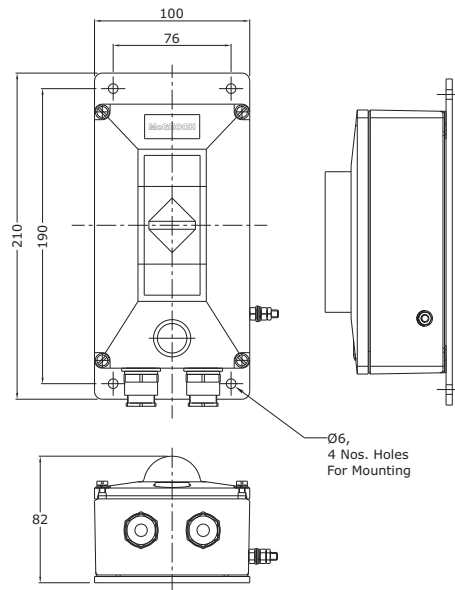
#### Applications

Naval Emergency Lighting,  
Defence Emergency Lighting

#### Product Photo



#### Product Dimensions



#### How To Order This Product

Catalogue Number	LED Type	Dimensions (mm)			Electrical Paramters		Accessories			
		A	B	C	Volt (V <sub>AC</sub> )	Mains Current (Amp)	Power Supply	Battery	Starter	Lamp Holder
MME-COM-22	1.2 W LED ARRAY	210	100	82	110..230	0.2	1.2W, 0.2A, 6V	6V, 4Ah, NiMH	NA	NA

